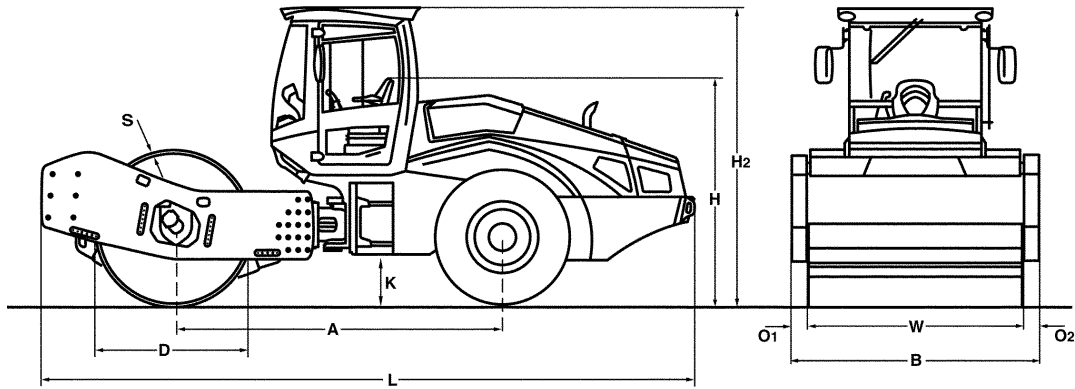


# TECHNICAL DATA

SINGLE DRUM ROLLERS

BW 219 D-5, BW 219 PD-5





**Dimensions in mm**

	<b>A</b>	<b>B</b>	<b>D</b>	<b>H</b>	<b>H2</b>	<b>K</b>	<b>L</b>	<b>O1</b>	<b>O2</b>	<b>S</b>	<b>W</b>
<b>BW 219 D-5</b>	3255	2300	1600	2295	3034	495	6500	85	85	40	2130
<b>BW 219 PD-5</b>	3255	2300	1500	2295	3034	495	6500	85	85	35	2130

**Shipping dimensions in m3**

**BW 219 D-5**  
**BW 219 PD-5**

**without ROPS**

34,310  
34,310

**with ROPS**

45,358  
45,358

<b>Machine type</b>	<b>Compaction output (m3/h)</b>			
	<b>Rock fill</b>	<b>Gravel, sand</b>	<b>Mixed soil</b>	<b>Silt, clay</b>
BW 219 D-5	940-1880	700-1400	560-960	250-500
BW 219 PD-5	940-1880	700-1400	560-960	280-560

<b>Machine type</b>	<b>Compacted layer thickness (m)</b>			
	<b>Rock fill</b>	<b>Gravel, sand</b>	<b>Mixed soil</b>	<b>Silt, clay</b>
BW 219 D-5	1,40	1,00	0,70	0,30
BW 219 PD-5	1,40	1,00	0,70	0,35

**Technical Data****BOMAG  
BW 219 D-5****BOMAG  
BW 219 PD-5****Weights**

Grossweight .....	kg	22.000	21.000
Operating weight CECE w. ROPS-cabin .....	kg	19.400	20.000
Axle load, drum CECE .....	kg	12.800	13.200
Axle load, wheels CECE .....	kg	6.600	6.800
Static linear load CECE .....	kg/cm	60,1	

**Dimensions**

Working width .....	mm	2.130	2.130
Track radius, inner .....	mm	4.120	4.120

**Driving Characteristics**

Speed (1) .....	km/h	0- 4,0	0- 4,0
Speed (2) .....	km/h	0- 5,0	0- 5,0
Speed (3) .....	km/h	0- 6,0	0- 6,0
Speed (4) .....	km/h	0- 10,0	0- 10,0
Max. gradeability without/with vibr. ....	%	50/48	52/50

**Drive**

Engine manufacturer .....		Deutz	Deutz
Type .....		TCD 6.1 L6	TCD 6.1 L6
Emission stage .....		Stage IIIa / TIER3	Stage IIIa / TIER3
Cooling .....		Liquid	Liquid
Number of cylinders .....		6	6
Performance ISO 3046 .....	kW	150,0	150,0
Performance SAE J 1995 .....	hp	202,0	202,0
Speed .....	min-1	2.300	2.300
Fuel .....		diesel	diesel
Electric equipment .....	V	12	12
Drive system .....		hydrost.	hydrost.
Drum driven .....		standard	standard

**Drums and Tyres**

Number of pad feet .....			150
Area of one pad foot .....	cm <sup>2</sup>		137
Height of pad feet .....	mm		100
Tyre size .....		23.1-26 12PR	23,1-26 12 TL

**Brakes**

Service brake .....		hydrost.	hydrost.
Parking brake .....		hydromec.	hydromec.

**Steering**

Steering system .....		oscil.artic.	oscil.artic.
Steering method .....		hydrost.	hydrost.
Steering / oscillating angle +/- .....	grad	35/12	35/12

**Exciter system**

Drive system .....		hydrost.	hydrost.
Frequency .....	Hz	26/31	26/31
Amplitude .....	mm	2,10/1,20	1,90/1,00
Centrifugal force .....	kN	328/266	328/245
Centrifugal force .....	t	33,5/27,1	33,5/25,0

**Capacities**

Fuel .....	l	250,0	250,0
------------	---	-------	-------

Technical modifications reserved. Machines may be shown with options.

### Standard Equipment

- BOMAG ECOMODE
- No-Spin differential lock
- Rear axle with twin spring accumulator brakes
- Hydrostatic travel and vibration drive
- Hydrostatic articulated steering
- Articulated joint lock
- Seat with arm rest and adj. for position and height
- Sliding window
- Battery disconnect switch
- Single lever control for travel and vibration
- Warning, information and operation displays with LCD
- Loading mode
- Emergency STOP
- Working lights front / rear
- Back-up alarm
- Noise insulation
- 2 Scrapers
- Warning horn

### Optional Equipment

- ROPS/FOPS cabin with seat belts
  - Sliding window
- ROPS/FOPS with safety belt
- Rearview camera
- Air condition
- Radio (Bluetooth)
- Pre start cabin heating
- Comfort package: Adjustable seat and adjustable steering column
- Rotary beacon
- Indicator and hazard lights
- BOMAG ECOSTOP
- TERRAMETER
- BOMAG TELEMATIC POWER
- BCM 05 Documentation system
- Special painting
- Padfoot segment kit (D)
- Environmentally compliant hydraulic oil
- Measuring- and machine data interface for third-party suppliers
- Reversing alarm buzzer with broad band audio

